



**Fire-Lite® Alarms**  
INCORPORATED

September 16, 1998

A2-100

**MiniPanel-12/24**  
**Two\*-Zone, Class B**  
**Fire Alarm Control Panels**  
Section: Conventional

**GENERAL**

Fire-Lite's popular **MiniPanel Series** consists of the **MP-12** and **MP-24**, 12-volt and 24-volt, two\*-zone, Class B, Fire Alarm Control Panels. Compact and economical, the MiniPanels offer a variety of option modules designed to meet many low-end applications, including NFPA 72-1993 Edition, Local and Remote Station Fire Alarm Systems.



S624  
(MP-12, MP-24,  
MP-24E)



CS68  
(CMP-12,  
CMP-24)



California  
State Fire  
Marshal  
7165-0075:120  
(MP-12, MP-24)

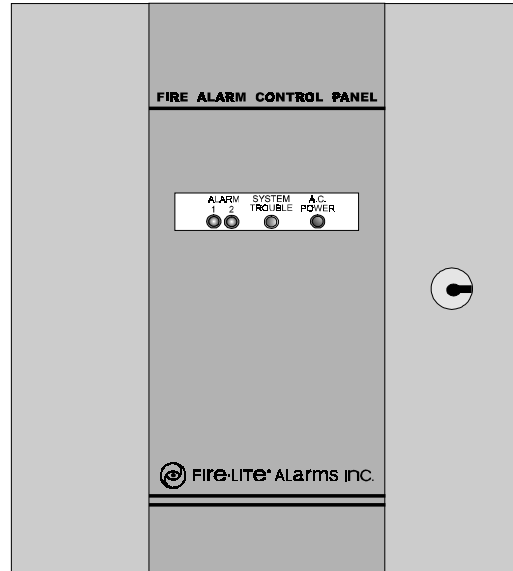
**MEA**

578-81-E (MP-12, MP-24)

**FEATURES**

- Economical two\*-zone, non-expandable construction.
- Two\* Style B (Class B) Initiating Device Circuits (IDCs) (zones).
- Single Style Y (Class B) Notification Appliance Circuit (NAC).
- 0.75 amps (MP-24) and 1.0 amp (MP-12) of notification appliance power.
- 12- or 24-volt models.
- Regulated DC power output rated @ 100 mA.
- Two-wire smoke detector compatible.
- Meets the requirements of NFPA 72-1993 Edition (Local and Remote Station).
- Integral battery charger.
- Low current drain of panel minimizes battery ampere-hour requirements.
- Power-limited per new UL requirements, effective May 1, 1995.
- Can be used with power-limited cable.
- Battery/earth fault supervision.
- Built-in brown-out circuitry.
- Built-in surge suppression.
- **Control switches:**
  - a. "Reset" for control and detectors.
  - b. "Trouble Silence" with resound.
  - c. "Disable" to silence alarm.
- **LED indicating lamps:**
  - a. "A.C. POWER".
  - b. "ALARM" per zone.
  - c. "SYSTEM TROUBLE".
- **Trouble circuit monitors following fault conditions:**
  - a. Open detector loop(s).
  - b. Low battery voltage.
  - c. Missing or disconnected battery.
  - d. Ground fault.
  - e. Low AC voltage (brown out).
  - f. Loss of AC power.
  - g. "Off Normal" switch position.
  - h. Open or shorted Notification Appliance (bell) Circuit (NAC).
- Compact size: 9-1/2" (241.300 mm) wide x 10-5/8" (269.875 mm) high x 4-7/8" (123.825 mm) deep.
- 230 VAC, 50 Hz international version available (MP-24E).

\*NOTE: **CMP-12** and **CMP-24** ULC-listed Canadian panels include only **ONE** IDC (zone).



**MP-24**

**PRODUCT LINE INFORMATION**

<b>Model</b>	<b>Description</b>
<b>MP-12</b>	Two-zone, 12-volt Fire Alarm Control Panel.
<b>MP-24</b>	Two-zone, 24-volt Fire Alarm Control Panel.
<b>MP-24E</b>	Same as above, with 230 VAC, 50 Hz transformer (UL listed).
<b>CMP-12</b>	Single-zone, 12-volt FACP with ULC listing.
<b>CMP-24</b>	Single-zone, 24-volt FACP with ULC listing.
<b>MP-AC12</b>	Auxiliary Alarm Contacts, two Form-C, 12-volt.
<b>MP-AC24</b>	Auxiliary Alarm Contacts, two Form-C, 24-volt.
<b>MP-AT12</b>	Auxiliary Alarm & Trouble Contacts, two Form-C, 12-volt.
<b>MP-AT24</b>	Auxiliary Alarm & Trouble Contacts, two Form-C, 24-volt.
<b>MP-TR12</b>	Remote Station Output, Alarm only, 12-volt.
<b>MP-TR24</b>	Remote Station Output, Alarm only, 24-volt.
<b>MP-TRT12</b>	Remote Station Output, Alarm & Trouble, 12-volt.
<b>MP-TRT24</b>	Remote Station Output, Alarm & Trouble, 24-volt.

This document is not intended to be used for installation purposes. We try to keep our product information up-to-date and accurate. We cannot cover all specific applications or anticipate all requirements. All specifications are subject to change without notice. For more information, contact **Fire-Lite**. Phone: (203) 484-7161 FAX: (203) 484-7118



One Fire-Lite Place, Northford, Connecticut 06472

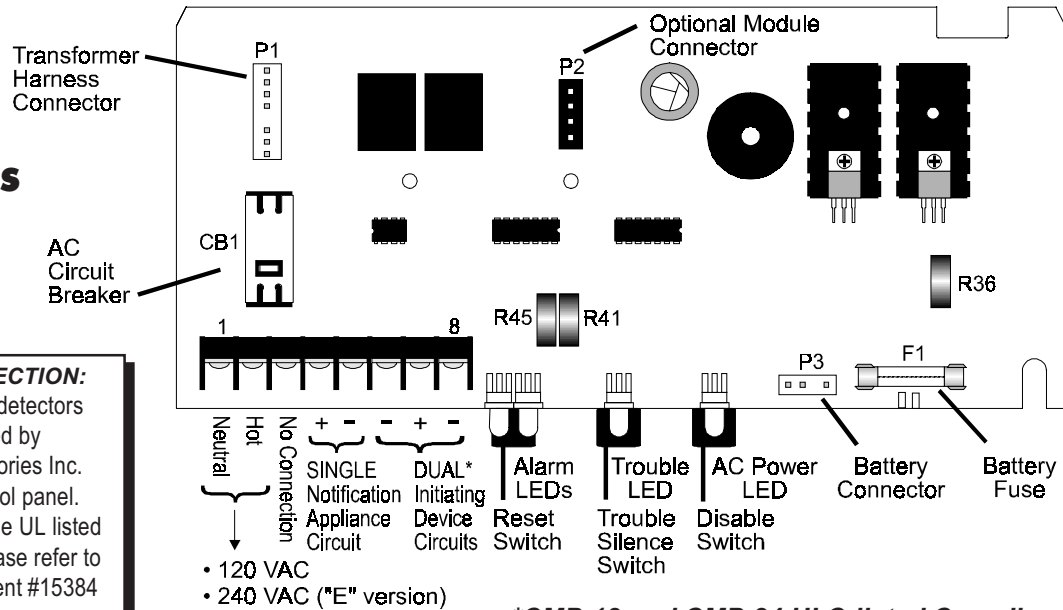
**ISO-9001**  
Engineering and Manufacturing  
Quality System Certified to  
International Standard ISO-9001



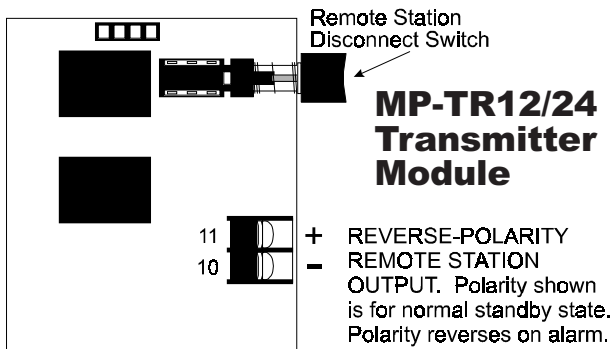
Made in the U.S.A.

## MAJOR COMPONENTS & TERMINAL LOCATIONS

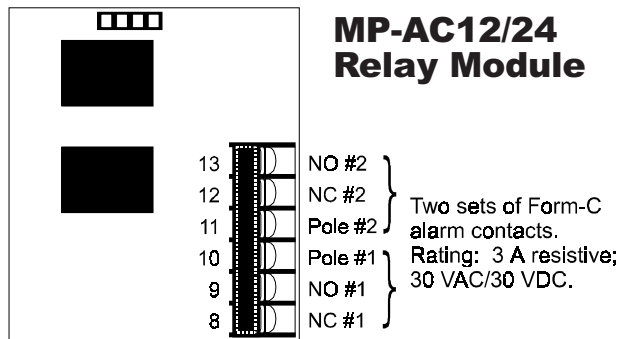
**FOR YOUR PROTECTION:**  
Always use two-wire detectors which have been listed by Underwriters Laboratories Inc. for use with this control panel. For a list of compatible UL listed smoke detectors, please refer to Compatibility Document #15384 for this control panel.



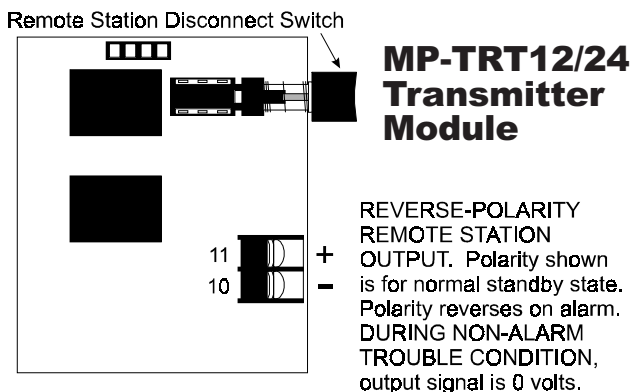
## OPTIONAL MODULES — Choose only ONE per control panel.



Connect to compatible UL listed polarity-sensitive remote station receiver, **Fire•Lite** RS-82 or equivalent. Output signal: MP-12, 9 to 14 VDC; MP-24, 18 to 28 VDC. **Note 1:** For wiring, refer to UL power-limited requirements. **Note 2:** This circuit is suitable to leave the building. **Note 3:** This output is power limited.

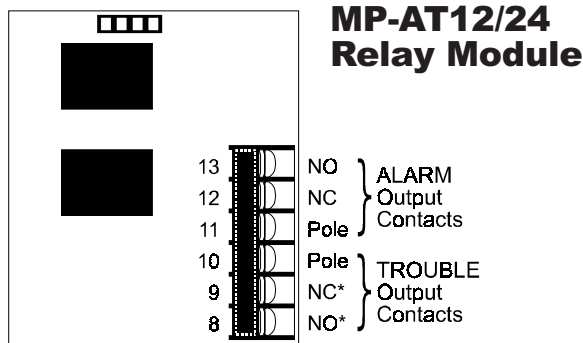


**Note 1:** For wiring, refer to UL power-limited requirements. **Note 2:** Both sets of contacts must either be connected to a non-power-limited or a power-limited circuit. Sets of contacts cannot be mixed. **Note 3:** Refer to the Protected Premises Unit label (located on the system door) and mark the dry contacts used as non-power-limited circuits.



Connect to compatible UL listed polarity sensitive remote station receiver, **Fire•Lite** RS-82 or equivalent. Output signal: MP-12, 9 to 14 VDC; MP-24, 18 to 28 VDC.

**Note 1:** For wiring, refer to UL power-limited requirements. **Note 2:** The MP-TRT module does not comply with the requirement for separate trouble/alarm signal transmission. **Note 3:** This circuit is suitable to leave the building. **Note 4:** This output is power limited.



**Note 1:** \*Indicates non-trouble state. **Note 2:** All contacts rated 3 A, 120 VAC/30 VDC. **Note 3:** For wiring, refer to UL power-limited requirements. **Note 4:** Both sets of contacts must be connected to a non-power-limited or a power-limited circuit. Sets of contacts cannot be mixed. **Note 5:** Refer to the Protected Premises Unit label (located on the system door) and mark the dry contacts used as non-power-limited circuits.